

Box with Multi-Pole SPD for Photovoltaic Systems
ProTec Box T2 7Y RG & 2MC4
 Class II • Type 2



Location of Use: Photovoltaic Systems
 Mode of Protection: (+)-PE, (-)-PE, (+)-(-)
 IEC/EN Category: Class II, Type 2
 Housing: Up to IP 67 Enclosure
 Compliance: EN 61643-31:2019
 IEC 61643-31:2018

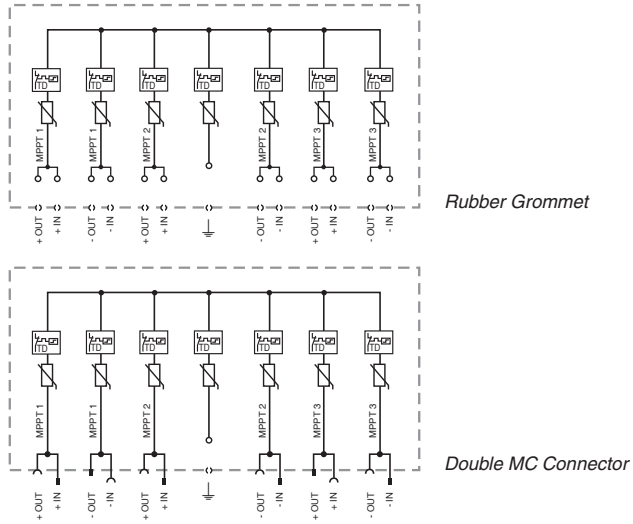
Technical Data

ProTec Box T2-xxxxPV-7Y(-L)(-RG)(-2MC4)		1100	1500
Electrical			
Maximum Continuous Operating Voltage (DC)	U_{OPV}	1100V	1500V
Nominal Discharge Current (8/20 μ s)	I_n	20 kA	15 kA
Total Discharge Current (8/20 μ s)	I_{total}	40 kA	40 kA
Maximum Discharge Current (8/20 μ s)	I_{max}	40 kA	40 kA
Voltage Protection Level [Rubber Grommet]	U_p	4200V	4800V
Voltage Protection Level [Double MC Connector]	U_p	4200V	5200V
Rated Load Current [Rubber Grommet]	I_L	45 A	45 A
Response Time	t_A	< 25 ns	< 25 ns
Short Circuit Current Rating	I_{SCPV}	9 kA	9 kA
Number of Strings per MPPT			3
Mechanical & Environmental			
Temperature Range	T_a	-40 °F to +185 °F [-40 °C to +85 °C]	
Permissible Humidity	RH	5%...95%	
Altitude		13123 ft [4000 m]	
Type of Cable Entry		Cable Gland / Rubber Grommet / MC4	
Wire Insulation Outer Diameter	(min)	.15" [4 mm] (stranded, flexible)	
	(max)	.31" [8mm] (stranded, flexible)	
Conductor Cross Section [Cable Gland]	(min)	24 AWG [0.2 mm ²] (stranded, flexible)	
	(max)	5 AWG [16 mm ²] (stranded, flexible)	
2 Conductors with Same Cross Section and Twin Ferrule [Rubber Grommet]	(min)	20 AWG [0.5 mm ²] (stranded, flexible)	
	(max)	9 AWG [6 mm ²] (stranded, flexible)	
Wire Insulation Outer Diameter [Double MC4]	(min)	.15" [4 mm] (stranded, flexible)	
	(max)	.31" [8mm] (stranded, flexible)	
Degree of Protection [Double MC4 / Rubber Grommet]		IP 67/IP 65	
Thermal Protection		Yes	
Operating State / Fault Indication		Green Flag / Not Green Flag	
Housing Material		Polycarbonate with Semi-transparent	
Mounting		Wall - Indoor/Outdoor	

Internal Configuration

Legend

- +/, -/+ Terminal for +/, -/+ Conductor
- Terminal for PE/G Conductor
- TD Thermal Disconnect



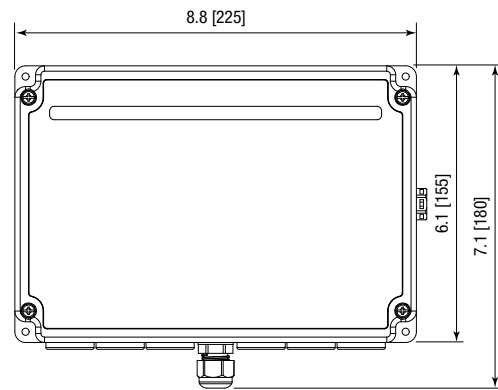
ProTec Box T2-xxxxPV-7Y(-S)(-RG)(-2MC4)

Order Information

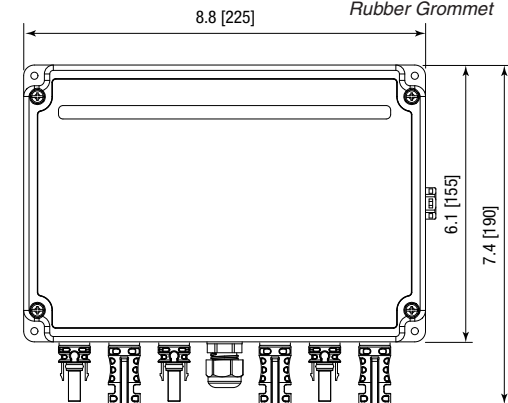
Order Code	1100	1500
ProTec Box T2-xxxxPV-7Y-L (Rubber Grommet)	515 865	-
ProTec Box T2-xxxxPV-7Y-L-RG (Rubber Grommet)	-	515 866
ProTec Box T2-xxxxPV-7Y-L-2MC4 (Double MC4)	515 852	-
ProTec Box T2-xxxxPV-7Y-L-2MC4 (Double MC4)	-	515 853

Abmessungen & Verpackung

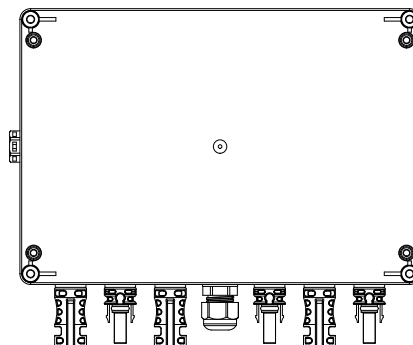
inches [mm]



Rubber Grommet



MC4 Connectors - front



MC4 Connectors - back

Complete Unit

ProTec Box T2-xxxxPV-7Y(-L)(-RG)		1100	1500
Single Unit Weight	pounds [grams]	3.073 [1394]	3.197 [1450]
ProTec Box T2-xxxxPV-7Y(-L)(-2MC4)			
Single Unit Weight	pounds [grams]	3.029 [1374]	3.153 [1430]
Packaging Dimensions (H x W x L)		15.1 x 17.7 x 21.6" [385 x 450 x 550 mm]	
Minimum Package Quantity		1 Unit	